

HEADLIGHT VSL HUSQVARNA 2024 MASCHERINA VSL HUSQVARNA 2024

COD. 500009163 REV.1

ACERBIS PARTS



A - (1 pcs)



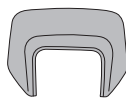
B - (1 pcs)



C - (1 pcs)



D - (4 pcs)



O - (1 pcs)



F - (1 pcs)



G - (1 pcs)



H - (1 pcs)

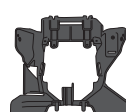


L - (2 pcs)



I - (2 pcs)

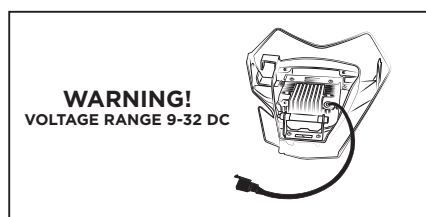
OEM PARTS



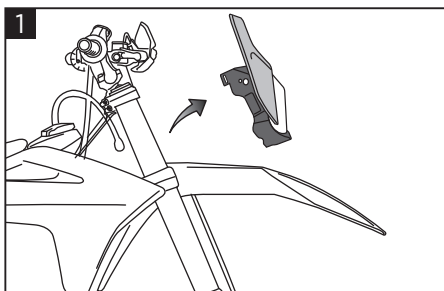
N - (1 pcs)



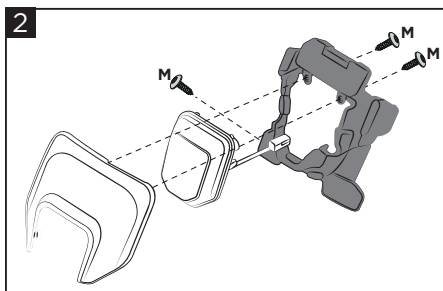
M - (3 pcs)



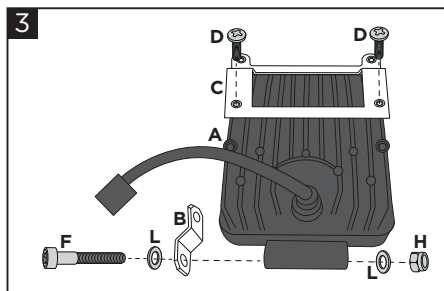
WARNING!
VOLTAGE RANGE 9-32 DC



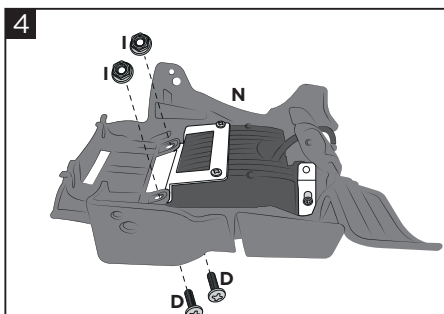
1
Remove the original headlight mask by unplugging the connector.
Rimuovere la mascherina originale scollegando il connettore.



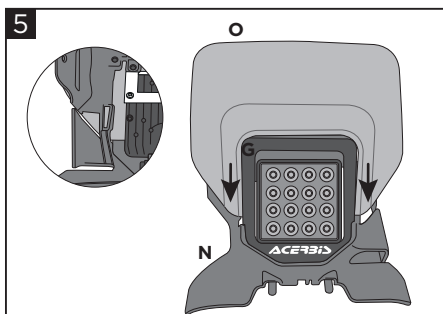
2
Remove the screws (M), the headlight and its frame from the original mask.
Togliere le viti (M) e rimuovere il faro ed il telaio dalla mascherina originale.



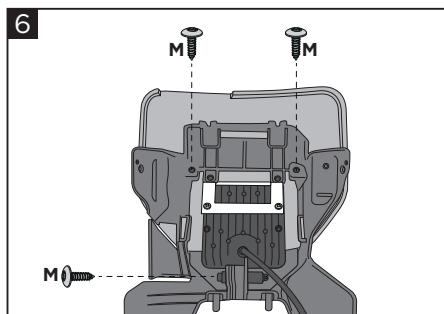
3
Tighten the top bracket (C) to the Acerbis headlight (A) using the screws (D). Assemble the lower bracket (B) through the screw (F), the washers (L) and then nut (H), without tightening completely.
Avvitare la staffa superiore (C) al faro Acerbis (A) attraverso le viti (D). Assemblare la staffa inferiore (B) tramite la vite (F), le rondelle (L) ed il dado (H), senza stringere completamente.



4
Assemble the original frame (N) and the light (A) through the screws (D) and the nuts (I).
Assemblare il telaio originale (N) ed il faro (A) tramite le viti (D) ed i dadi (I).



5
Attach the frame (N) to the mask (O) inserting correctly the frame (G) and make sure it fits into the appropriate seats on the back.
Fissare il telaio (N) alla mascherina (O) infilando correttamente la cornice (G) ed assicurarsi che si incastri nelle apposite sedi sul retro.



6
Fix the frame to the headlight using the two original screws (M). Position the bracket (B) correctly and fix through the screw (M), then tighten the screw (F).
Fissare il telaio alla mascherina tramite le due viti originali (M). Posizionare la staffa (B) correttamente ed avvitare tramite la vite (M), poi stringere la vite (F).

WARNING!

Off road motorcycle lights are subject to damage and wear caused by vibration. Always check your lights before riding at night. Be sure you follow these instructions thoroughly. If the headlight falls off, it can jam the front wheel. Do not secure cables with number plate mounting straps. Use the guides provided. Before riding, check that all cables, holes, and controls function properly. The rubber mounting straps are subject to degradation from atmospheric pollutants. Always inspect them before riding. Never ride unless all the four mounting straps are properly installed and in good condition. If you have any questions regarding the fitment or installation of this product please contact your local Acerbis dealer. Acerbis recommends that installation must be done by a licensed mechanic and that only Acerbis' original parts are used during installation. Acerbis makes no guarantees or representations, express or implied, regarding the fitment of its product for any particular purpose. Acerbis makes no guarantees or representations, express or implied, regarding the extent to which its products protect individuals or property from injury or death or damage.

EUROPE

ACERBIS ITALIA S.P.A.
VIA SERIO, 37
24021 ALBINO (BG)
ITALY

U.S.A.

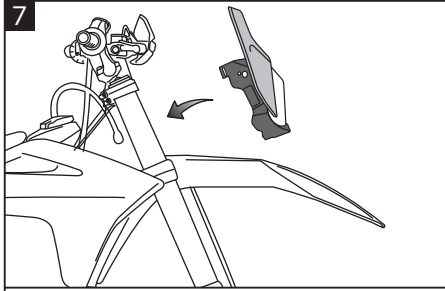
ACERBIS U.S.A. INC.
MAIL P.O. BOX 2030
SUN VALLEY, ID 83353
SHIP 110 LINDAY CIRCLE
KETCHUM, ID 83340
U.S.A.

UNITED KINGDOM

ACERBIS U.K LTD
UNIT 4 DUNFERMLINE COURT,
KINGSTON, MILTON KEYNES
MK10 0BY
GREAT BRITAIN

HEADLIGHT VSL HUSQVARNA 2024 MASCHERINA VSL HUSQVARNA 2024

COD. 500009163 REV.1



Remount the headlight mask by connecting the connector.

Rimontare la mascherina collegando il connettore.

WARNING!

Off road motorcycle lights are subject to damage and wear caused by vibration. Always check your lights before riding at night. Be sure you follow these instructions thoroughly. If the headlight falls off, it can jam the front wheel. Do not secure cables with number plate mounting straps. Use the guides provided. Before riding, check that all cables, holes, and controls function properly. The rubber mounting straps are subject to degradation from atmospheric pollutants. Always inspect them before riding. Never ride unless all the four mounting straps are properly installed and in good condition. If you have any questions regarding the fitment or installation of this product please contact your local Acerbis dealer. Acerbis recommends that installation must be done by a licensed mechanic and that only Acerbis' original parts are used during installation. Acerbis makes no guarantees or representations, express or implied, regarding the fitment of its product for any particular purpose. Acerbis makes no guarantees or representations, express or implied, regarding the extent to which its products protect individuals or property from injury or death or damage.

EUROPE

ACERBIS ITALIA S.P.A.
VIA SERIO, 37
24021 ALBINO (BG)
ITALY

U.S.A.

ACERBIS U.S.A. INC.
MAIL P.O. BOX 2030
SUN VALLEY, ID 83353
SHIP 110 LINDAY CIRCLE
KETCHUM, ID 83340
U.S.A.

UNITED KINGDOM

ACERBIS U.K LTD
UNIT 4 DUNFERMLINE COURT,
KINGSTON, MILTON KEYNES
MK10 0BY
GREAT BRITAIN